

UHX SERIES INDUSTRIAL LIGHTING

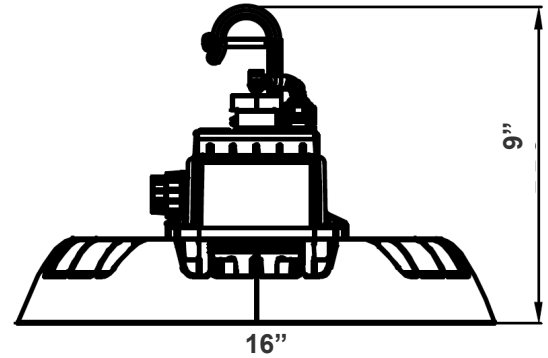
UHX-300W-MP-50K-480V
480 UFO HIGHBAY



Customer Name: _____

Project Name: _____

Note: _____ Type: _____



9" (H) X 16" (D)

In a aluminium shell designed for heat dissipation, UHX is IP65 water resistant rated and ideal for general site lighting, alleys, loading docks, doorways, pathways, parking areas, warehouses and storage buildings.

Features

- Waterproof design, suitable for wet locations
- ADC12 Aluminum Heat Sink, Outdoor Powder Coating Finish
- Optical Lens: PC Materials High Light Transmittance, Anti-UV, Fire-Resistant
- Multi Power (Selectable Switch Located On The Driver Housing)

Technical Specifications

Electrical:

- Input Wattage: 150W/ 200W/ 240W/ 300W
- Input Voltage: 480V AC 50/60Hz
- Power Factor: >0.9
- THD: <20%
- Efficacy: 160 LPW

Mechanical:

- ADC12 Aluminum Heat Sink, Outdoor Powder Coating Finish
- Optical Lens: PC Materials High Light Transmittance, Anti-UV, Fire-Resistant
- LED: LUMILEDS 2835
- LED PCB Board: High Conductive, Waterproof, Aging Resistance, salt mist Resistance, Ensure the Safety and Long Lifespan
- Operating temperature: -40°F to 122°F
- IP rating: IP65, Wet Locations
- 5-Year Warranty

Lighting:

- Dimming: 0~10V
- Multi Power (Selectable Switch Located On The Driver Housing)
- Total Lumens: 24000/ 32000/ 38400/ 48000LM
- Color Temperatures: 5000K
- Color Rendering index: > 80
- Beam Angle: 90°
- Lifespan: 50,000 Hrs

Applications:

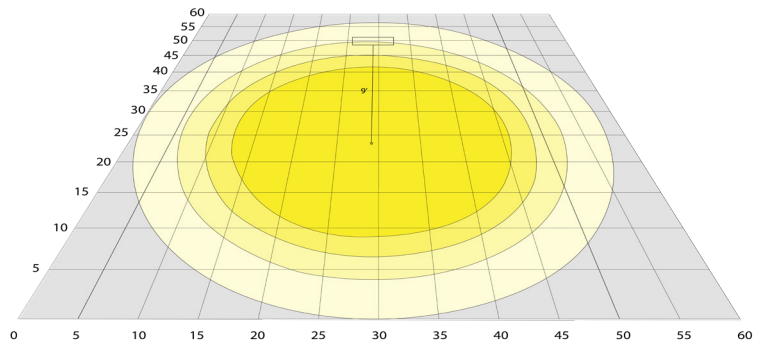
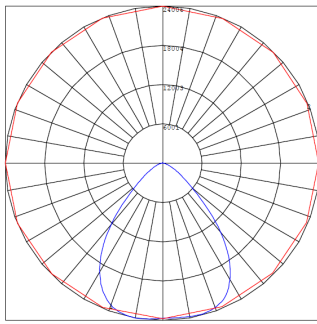
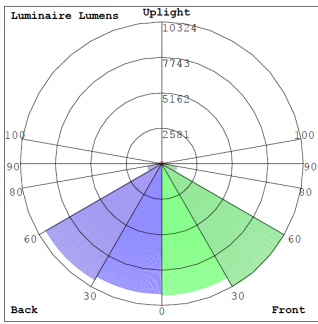
- Ideal for general site lighting, alleys, loading docks, doorway, pathway, parking areas, warehouses and storage buildings.

Other Models:

- 150W | 24000 LM | UHX-150W-MP-50K-480V
- 230W | 36800 LM | UHX-230W-MP-50K-480V



Photometrics: UHX-300W-MP-50K-480V



BUG Rating: B5-U3-G1

Area 60'x 60' Mounting Height: 9'

Other Views:



Side View



Top View



Bottom View

Performance Table: UHX-300W-MP-50K-480V

MODEL NO.	Wattage	Voltage	Lumens	Color Temp	BUG Rating	LPW
UHX-300W-MP-50K-480V	150W	480V	24000LM	5000K	B5-U3-G1	160
	200W		32000LM			
	240W		38400LM			
	300W		48000LM			

Sample Ordering

Model **Wattage** **Power** **Color Temp.** **Voltage**

UHX - 230W - MP - 50K - 480V

Accessory

HB-RING = HIGHBAY TOP RING ADAPTER, 1/2in
HB-EB-50/75 = HIGHBAY EXPANSION BUSHING FROM 1/2in TO 3/4"
UHX-SMB = UHX SERIES SURFACE MOUNTING YOKE BRACKET
UHX-WG-B = UHX SERIES WIRE GUARD, FITS ON FIXTURES
UHX-SC = UHX SERIES 22" SAFETY CABLE
UHX-ALR-B = UHX SERIES ALUM. REFLECTOR
UHX-PCR-B = UHX SERIES PRISMATIC PC REFLECTOR
UHX-PCDC = UHX SERIES PC DROP LENS COVER FOR REFLECTORS
UHX-PCC = UHX SERIES PC BOTTOM COVER FOR REFLECTORS
UXH-FL-C = UHX SERIES REPLACEMENT FROSTED GLASS LENS

Factory-Installed Option:

Blank = No Accessory
OPT-EM-UHX = EXTERNAL EMERGENCY BACKUP BATTERY INSTALLED ON TOP OF THE FIXTURE

Example:

1. UHX-300W-MP-50K-480V
2. UHX-300W-MP-50K-480V
HB-RING



ACCESSORIES:



UHX-PCR-B
UHX SERIES
PRISMATIC PC
REFLECTOR FOR
UP TO 230W



UHX-ALR-B
UHX SERIES ALUM
REFLECTOR FOR UP
TO 300W



UHX-PCC
UHX SERIES PC
BOTTOM COVER FOR
REFLECTORS, FITS
ALL SIZES



UHX-PCDC
UHX SERIES PC DROP
LENS COVER FOR
REFLECTORS, FITS
ALL SIZES



HB-RING
HIGHBAY TOP RING
ADAPTER, 1/2in



HB-EB-50/75
HIGHBAY
EXPANSION
BUSHING FROM 1/2in
TO 3/4"



UHX-SMB
UHX SERIES SURFACE
MOUNTING YOKE
BRACKET



UHX-WG-B
UHX SERIES WIRE
GUARD, FITS ON
FIXTURES UP TO 300W



UXH-FL-C
UHX SERIES
REPLACEMENT FROSTED
GLASS LENS FOR UP TO
300W



UHX-SC
UHX SERIES 22"
SAFETY CABLE

FACTORY-INSTALLED OPTION:



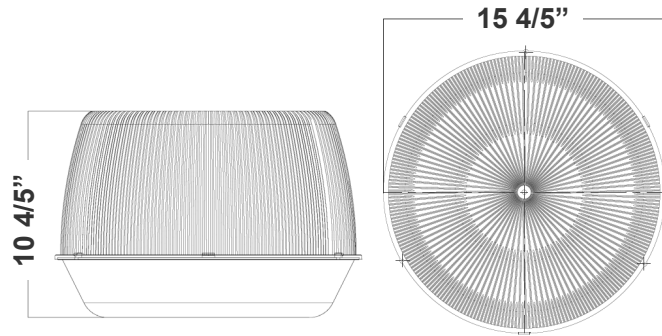
OPT-EM-UHX
EXTERNAL EMERGENCY
BACKUP BATTERY INSTALLED
ON TOP OF THE FIXTURE
(The bracket can be painted)



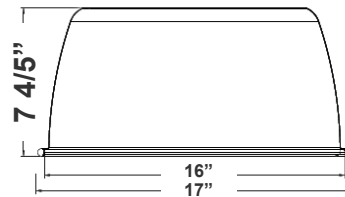
Dimensions:



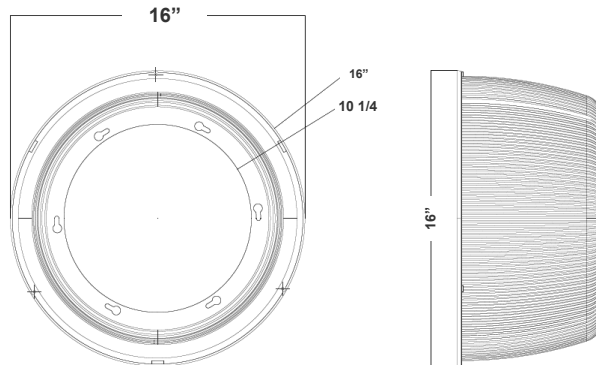
UHX-PCC
UHX SERIES PC BOTTOM COVER
FOR REFLECTORS



UHX-ALR-B
UHX SERIES ALUM. REFLECTOR



UHX-PCR-B
UHX SERIES PRISMATIC PC
REFLECTOR



UHX-PCDC
UHX SERIES PC DROP LENS
COVER FOR REFLECTORS

